

MPM 1815

The MPM 1815 is a TRUE 900W three way passive or bi-amped enclosure and was originally designed to be a high-powered stage monitor to overcome the common problem of having too many monitors on stage and still not having the desired coverage. But half-way through the design process we realised we had something that would do a lot more than just stage monitoring.

The MPM 1815 comprises of 1 x high-powered 15" (387.4mm) bass driver, 1 x bespoke neodymium 8" (203.2mm) dual-concentric mid driver, with 1 x neodymium 1" (25.4mm) compression driver mounted on the rear.

This dual-concentric device is enclosed in it's own chamber with a heatsink mounted between the mid and top drivers, giving you more power to play with. The high-end compression driver features our bespoke BUGLE™ technology that allows us to provide you with this very high-powered unit. We have included a three-way (+/-2.5dB) flat/cut/boost switch, which allows you to switch between stage use as well as small Front of House.

The MPM 1815 has a useable frequency range from 40Hz-20kHz with 135dB maximum SPL@1w/1m.



features:

- high-powered multi-purpose monitor
- 3 way passive/bi-amped
- flying capabilities
- optional yoke for use with tri-pod/ top hat
- practically placed handles
- Textured water resistant Noise Control Green coating



applications:

- stage monitoring
- conferencing
- front of house
- disco hire
- corporate events

permanent installations in:

- auditoriums
- medium-large clubs
- theatres
- places of worship
- sports stadiums



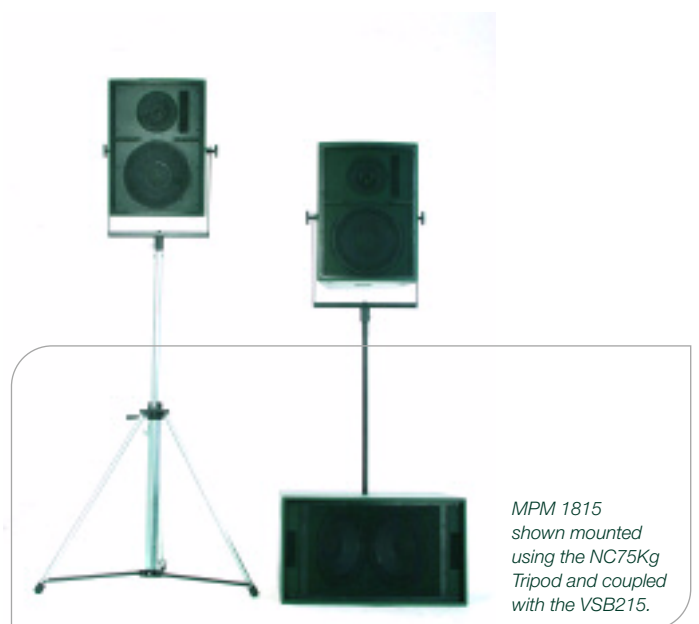
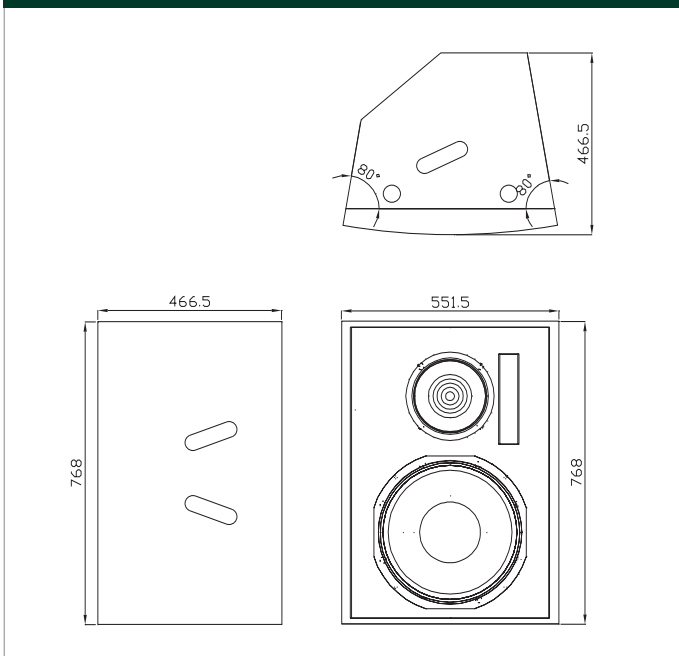
SQT SERIES - MPM 1815



specifications

Type	3 way active/passive multi purpose monitor
Frequency response	40Hz-20kHz + 3dB
Drivers	LF: 15"(387.4mm) 4" (101.6mm) voice coil MF: 8"(203.2mm) Neo dual-concentric HF: 1"(25.4mm) Neo compression driver
Driver's power rating	LF: 600W AES 2400W peak MF: 200W AES 1200W peak HF: 100W AES 400W peak
Recommended amplifier	FR: 1000W into 8 ohms (passive) LF: 600W into 8 ohms (active) MF/HF: 400W into 8 ohms (active)
Sensitivity	FR: 99dB @1w/1m (passive) LF: 97dB @1w/1m (active) MF/HF: 99dB @1w/1m (active)
Nominal impedance	FR: 8 ohms (passive) LF: 8 ohms (active) MF/HF: 16 ohms (active)
Maximum SPL	135dB cont./138dB program
Dispersion	130°
Crossover points	500Hz active/passive
Connectors	2 x Neutrik NL4 Speakons
Dimensions upright	Height 768mm, width 551.5mm, depth 467mm
Dimensions as stage wedge	Height 530mm, width 768mm, depth 630mm
Weight	47kg (103lbs)
Construction	18mm birch ply finished in textured water resistant Noise Control Audio green with bespoke powder coated protective grill

overall dimensions



World HQ: Unit 3 Stephen House, 1(B) Darnley Road, London E9 6QH, UK
tel: +44 (0) 208 510 9010 fax: +44 (0) 208 533 1433 email: info@noisecontrolaudio.com